



## 4x4 Pocket Door™ Slide KV8091/92

The Knap & Vogt 4x4 Pocket Door™ Slide is ideal for use in large entertainment and home theater cabinets. It is specially designed to hold over-size doors up to 75 pounds and 72 inches in height. The 4x4 Pocket Door Slide's dual rack and pinion system virtually eliminates door sag, speeding installation, minimizing adjustment and eliminating callbacks. As with all Knap & Vogt drawer slides, the 4x4 Pocket Door™ Slide is designed to meet or exceed ANSI performance standards as established by BIFMA, BHMA and KCMA.



### KEY PRODUCT FEATURES

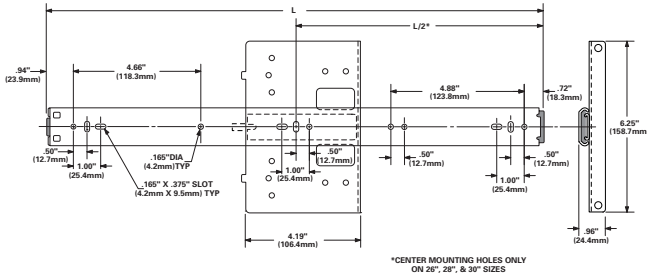
- Dual rack and pinion system virtually eliminates door sag.
- 75-Pound Class rated for heavy duty applications.
- Maximum door dimensions: 72" h x 26" w
- Innovative indexing pin allows door slide to nest within door rack for easy alignment and installation.
- Self-closing, three-way adjustable isometric door hinge.
- Hinge bases are pre-mounted on the 8092 for faster installation.
- 8091 allows installer to use the hinge/hinge base of their choice.
- Precision steel ball bearings provide smooth and quiet operation.
- Backed by the exclusive Knap & Vogt Limited Lifetime Warranty.



Patents Pending.



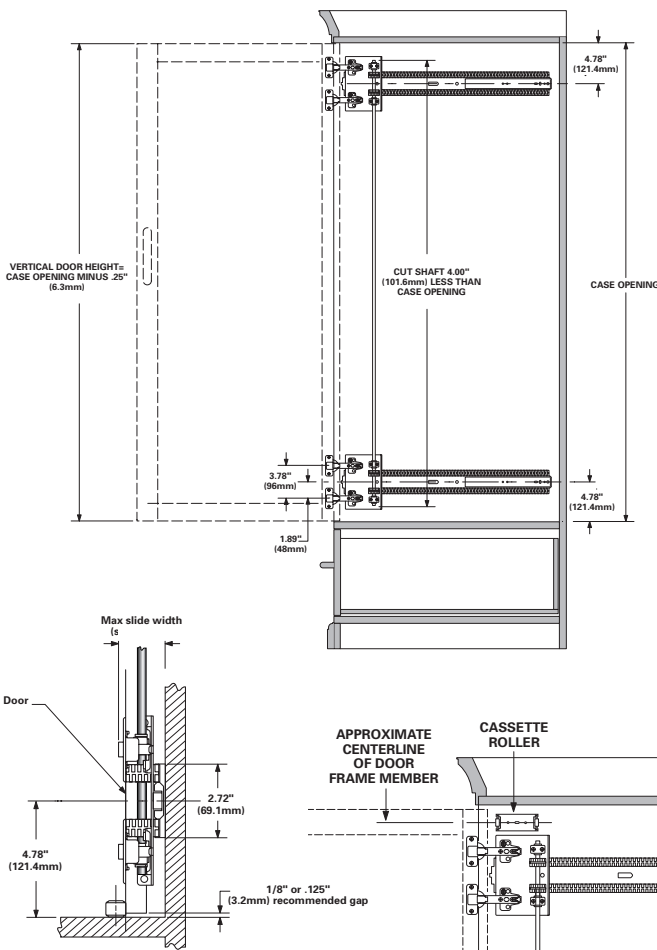
**DIMENSIONS**



Size	L	L/2*	Approx. Door Conceal**	Approx. Cabinet Depth***
18"	18-1/8"	-	14"	18-3/8"
20"	20-1/8"	-	16"	20-3/8"
22"	22-1/8"	-	18"	22-3/8"
24"	24-1/8"	-	20"	24-3/8"
26"	26-1/8"	13-1/16"	22"	26-3/8"
28"	28-1/8"	14-1/16"	24"	28-3/8"
30"	30-1/8"	15-1/16"	26"	30-3/8"

\*Center mounting holes only on 26", 28", & 30" sizes  
 \*\* Door fully retracted into case  
 \*\*\* Add thickness of door to determine minimum

**INSTALLATION**



Knap & Vogt reserves the right to change product specifications at any time without notice and without incurring responsibility for existing units.

**SPECIFICATIONS**

- name** 4x4 Pocket Door™ Slide
- number** Model Number 8091/92
- mounting** Mounts directly to cabinet side.
- load rating** 75-Pound Class
- max. door dimensions** 72"h x 26"w
- finish** Ebony Black (EB) - Black.  
Zinc chromate electroplated with lacquer top coat.
- action** Progressive movement on precision steel ball bearings.
- additional features**
  - Rack and pinion design virtually eliminates door sag.
  - Slide rack indexing system speeds installation time.
  - Metal ball retainer holds three bearings per inch of race for smooth and quiet operation.
  - Multiple hinge options allow for a wide variety of applications.

**sizes** **8092:** Standard even sizes: 18", 20", 22", 24", 26", 28" and 30".

**8091:** Standard even sizes: 18", 20", 22", 24", 26", 28" and 30".

**packaged** **Poly Pack (8092P):** 1 set per poly pack w/screws and instructions. Hinges and shafts must be ordered separately.

**Poly Pack (8091P):** 1 set per poly pack w/screws and instructions. Shafts must be ordered separately. Hinges and hinge bases supplied by installer.

**ordering information** **Slides:** 8092P EB 18-30"  
8091P EB 18-30"

**Shafts:** 8092SB EB 36"  
8092SB EB 48"  
8092SB EB 72"

	<u>Hinge Kits</u>	<u>Hinge Pack</u>
<b>Hinges:</b>	(2 hinges w/screws)	(40 hinges w/o screws)
Standard:	8080 HKEZSEB	8080 HPEZSEB
Free-Swing:	8080 HKEZFEB	8080 HPEZFEB
Overlay Dr.:	8080 HKEZLEB	8080 HPEZLEB
Thick Dr.:	8085 HKEZTEB	8085 HPEZTEB
Ex. Thick Dr.:	8086 HKEZXEB	8086 HPEZXEB

**Raised Panel Door Roller:** 8090P CR (1 each w/screws)

**NOTE: Consult price list or KV Customer Service for stock availability information on different sizes, packages and finishes.**

The 4x4 Pocket Door™ Slide is designed to be mounted to the side of a cabinet for pocket door wood applications in the 75-pound class. Not recommended for receding or flipper door applications.



Knap & Vogt Manufacturing Company

2700 Oak Industrial Drive NE • Grand Rapids, MI 49505 USA • 800.253.1561 • www.kv.com